

Take Control.  
**ION**  
*Technologies*



# SEH50-SEH100-SEH200

Heavy Duty High Head Sewage Pump

- High capacity pump
- Commercial sewage
- Septic tank effluent
- Dewatering
- High head sump



37 Forestwood Dr., Romeoville, IL 60446 [www.ionproducts.net](http://www.ionproducts.net) [815] 886-9200

# SEH50-SEH100-SEH200

Heavy Duty Sewage Pump

## System Specifications

- Typical Applications
- High capacity pump
  - Commercial sewage
  - Septic tank effluent
  - Dewatering
  - High head sump

### Maximum Capacity

- SEH50 114 GPM @ 10'
- SEH100 138 GPM @ 20'
- SEH200 180 GPM @ 25'

### Maximum Head

- SEH50 Up to 35'
- SEH100 Up to 58'
- SEH200 Up to 72'

### Electrical Data

- SEH50M-11 115 V, 1 Ø, 12.0 FLA, 60 Hz
- SEH50M-21 230 V, 1 Ø, 6.0 FLA, 60 Hz
- SEH50M-03 208 V, 3 Ø, 4.2 FLA, 60 Hz
- SEH50M-23 230 V, 3 Ø, 4.0 FLA, 60 Hz
- SEH50M-43 460 V, 3 Ø, 2.0 FLA, 60 Hz
- SEH100M-21 230 V, 1 Ø, 11.0 FLA, 60 Hz
- SEH100M-03 208 V, 3 Ø, 6.8 FLA, 60 Hz
- SEH100M-23 230 V, 3 Ø, 6.6 FLA, 60 Hz
- SEH100M-43 460 V, 3 Ø, 3.3 FLA, 60 Hz
- SEH200M-21 230 V, 1 Ø, 18.0 FLA, 60 Hz
- SEH200M-03 208 V, 3 Ø, 10.4 FLA, 60 Hz
- SEH200M-23 230 V, 3 Ø, 9.0 FLA, 60 Hz
- SEH200M-43 460 V, 3 Ø, 4.5 FLA, 60 Hz

Motor Data ½ & 1 & 2 HP, 3450 RPM

Intermittent Liquid Temperature 104° F

Recommended Minimum Basin Size 18" x 30"

Manual Operation W: Wide angle float  
M: Manual

Materials of Construction Cast iron

Impeller Cast iron, vortex

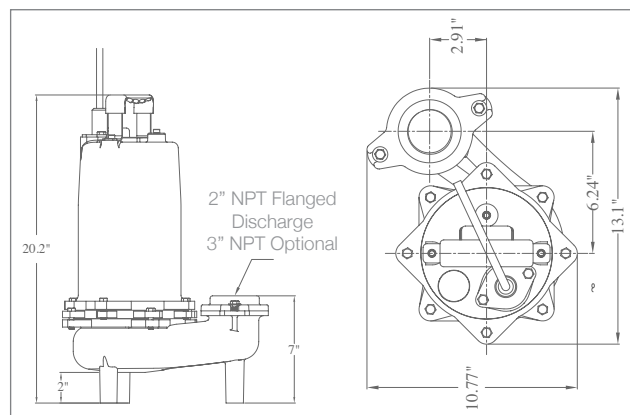
### Power Cord (20')

- SEH50 1Ø 16AWG/3C
- SEH100 1Ø 16AWG/3C
- SEH200 1Ø 14AWG/3C
- SEH50 3Ø 16AWG/4C
- SEH100 3Ø 16AWG/4C
- SEH200 3Ø 16AWG/4C

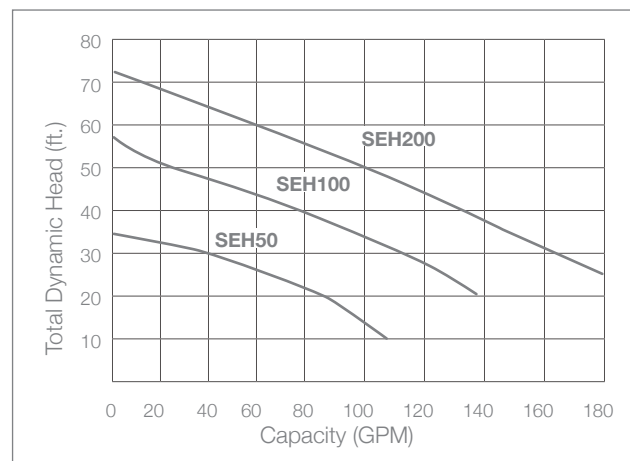
Discharge 2" or 3" NPT optional

Solids Handling 2"

## Pump Dimensions



## Pump Performance



## Features

- Carbon ceramic mechanical seal
- Automatic reset thermal overload for maximum protection
- Lower single-row ball-bearing construction
- 3 year warranty